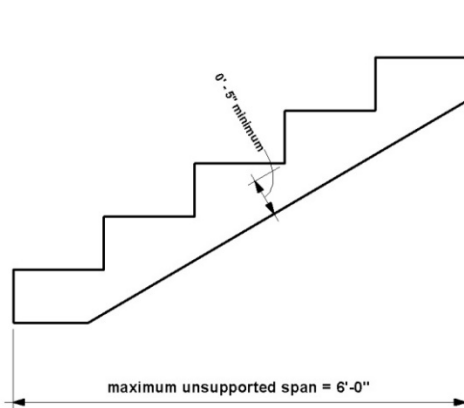
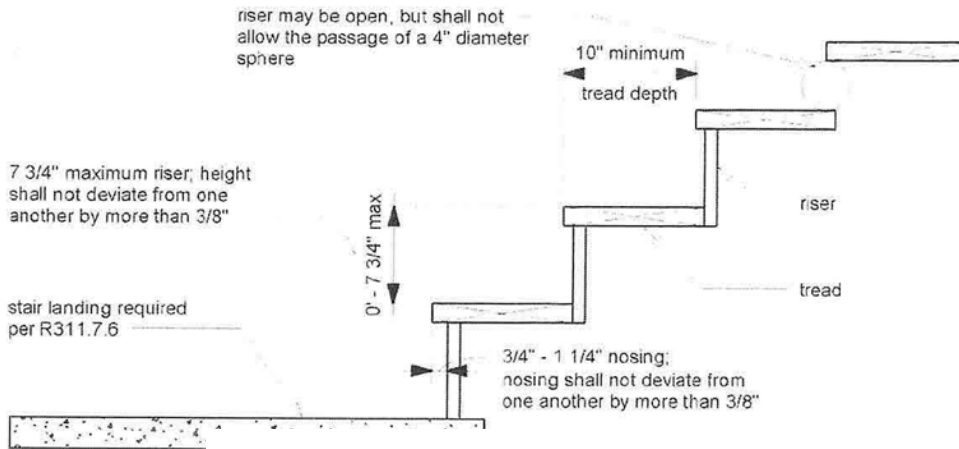
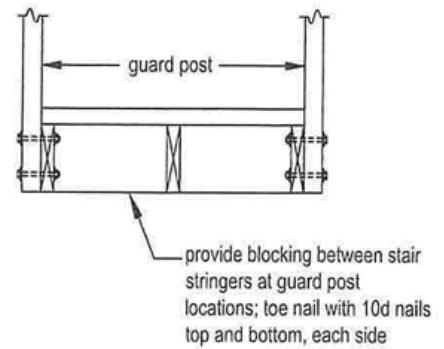
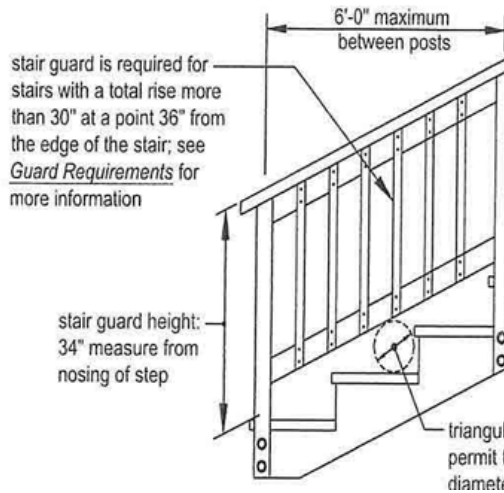
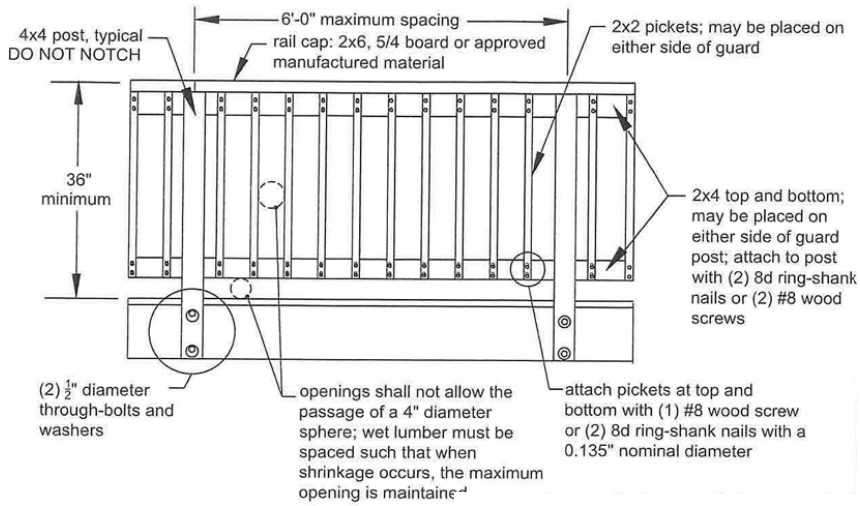
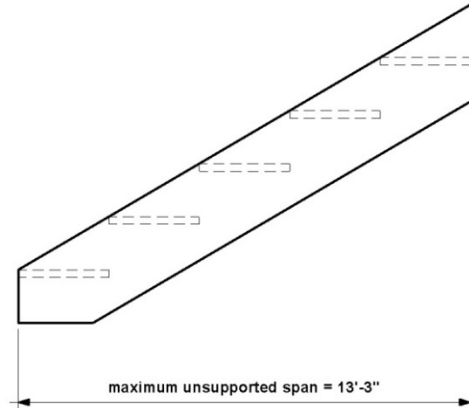


## Hall County GA Minimum Standards For Manufactured Housing

- The roof must be double pitched with said pitch being at least 3/12 and covered with material that is residential in appearance, including, but not limited to, wood, asphalt composition, or fiberglass shingles, but excluding corrugated aluminum, corrugated fiberglass, or metal roofs.
- Minimum 6-inch eave (overhang).
- Exterior siding cannot have a high-gloss finish and must be residential in appearance, including, but not limited to, clapboards, simulated clapboards, such as conventional vinyl or metal siding, wood shingles, shakes or similar material, but excluding smooth, ribbed, or corrugated metal or plastic panels.
- The manufactured home must be placed on permanent foundation that complies with Chapter 120-3-7, Rules and Regulations of the Office of Commissioner of Insurance Safety Fire Division;
  - The exterior foundation material must consist of continuous concrete or masonry suitable for outer portion of a finished residence if subject to New Rules.
- The hitch, axles and wheels must be removed; this will differ depending on New Rules versus Old Rules determination.
- The manufactured home must be at least sixteen feet (16) feet in width.
  - If landing is higher than 30 inches above grade, a guard rail with a minimum of 36 inches with pickets no more than 4 inches apart is required around landing and a handrail required on steps.
- The property owner shall declare the manufactured home as real property and must record it with the Hall County Tax Assessor.
- The manufactured home must be manufactured after June 15, 1976.
- The manufactured home must have permanent steps at all exits with a (3' X 3') landing. Landing and decks must be free standing and self-supporting, not attached to the manufactured home.
- Decks shall be built to 2018 IRC Deck Standards with Georgia Amendments. Code Section R507.
  - Must follow the free standing Deck Code in Section R507.
  - Must be permitted by Licensed Manufactured Home Installer.



**SAWN STRINGER**



**SOLID STRINGER**